

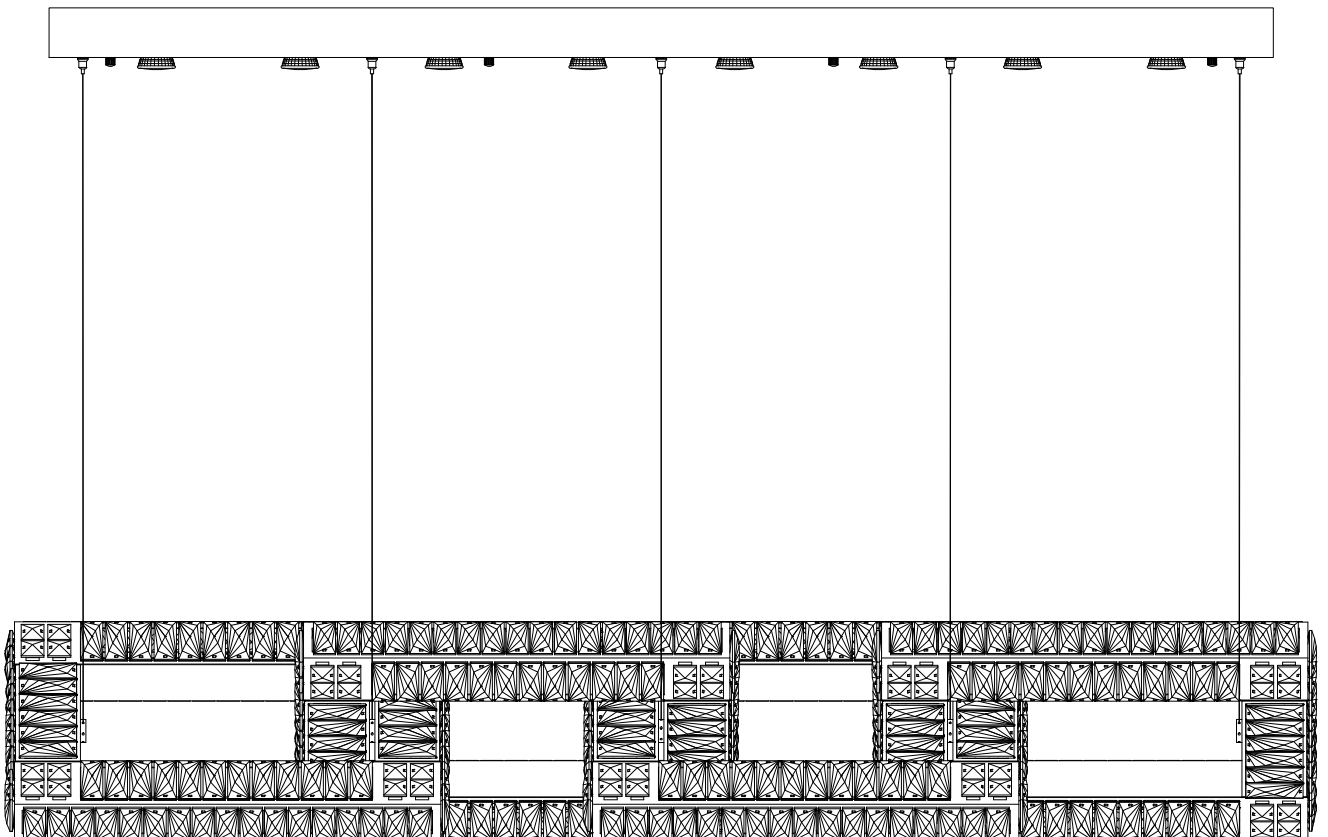
ZEDV

L I G H T I N G

ASSEMBLY AND INSTALLATION INSTRUCTIONS

ITEM NO.: CD10324/8/AGB

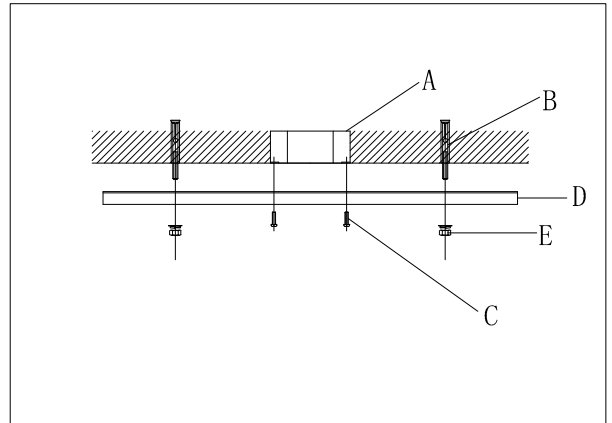
ITEM NO.: CD10325/8/PN



NOTE: Before starting installation of this Fixture or the removal of a previous Fixture, disconnect the power by turning off the circuit breaker or removing the fuse from the fuse box.

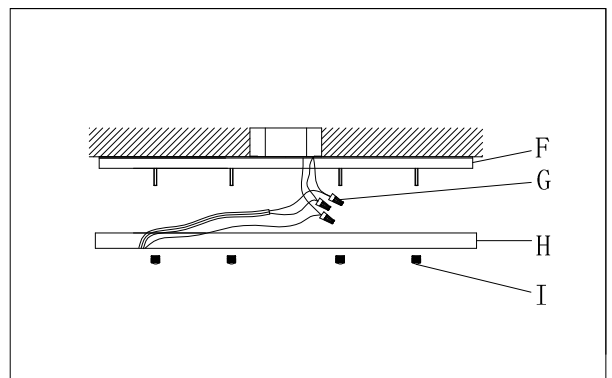
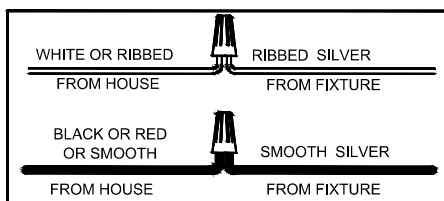
STEP 1:

Secure mounting plate(D) tight onto the junction box (A not included) by 2pcs screws(C), and use 8pcs metal anchors(B) and 8pcs nuts(E) to secure the mounting plate(D) tight against on ceiling.



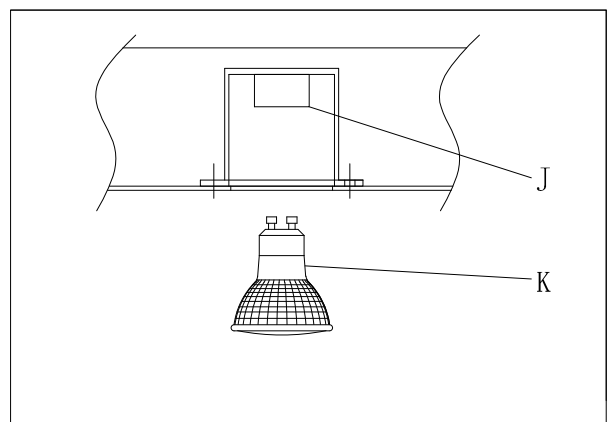
STEP 2:

Wrap the Ground wire from the fixture around the screw on the mounting plate.
Connect the white wire from the fixture to the white wire (Neutral wire) from Junction box with wire connector(G)
Connect the Black wire from the fixture to the black wire (Live wire) from junction box with wire connector(G)



STEP 3:

Align the Canopy (H) with the mounting plate (D), the mounting screws from mounting plate pass through the Canopy holes secured tight with 4 cap finials (I) on the mounting screws.



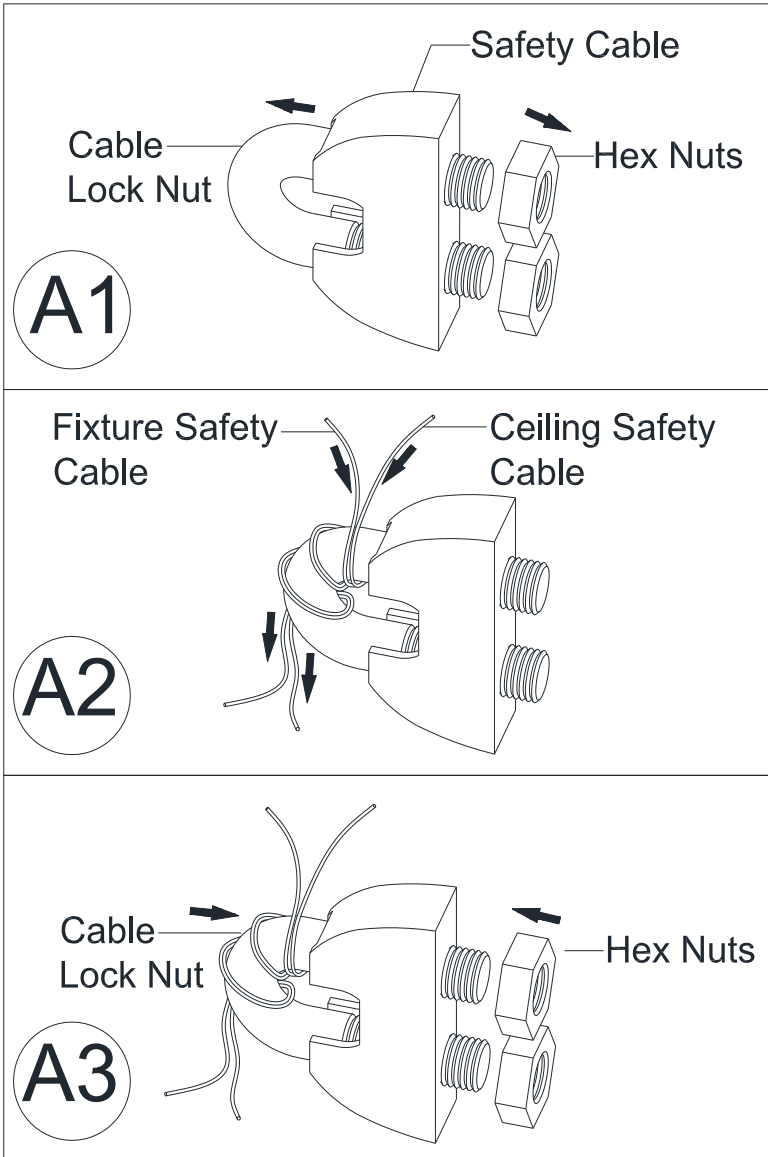
STEP 4:

Assemble 8pcs GU10 bulbs (K not include) into socket(J). Connect breaker and turn on Light.

Cleaning & Care:

To clean, wipe the Fixture with a soft, dry cloth. Avoid the use of harsh or abrasive chemicals as they may damage the finish.

SAFETY CABLE ASSEMBLY



1. Remove Hex Nut from Cable Lock Nut and pull Cable Lock Nut from Safety Cable.

2. Join Fixture Safety Cable with safety cable from ceiling and wrap both safety cables around the Cable Lock Nut.

3. Secure by tightening both Hex Nuts until tight.