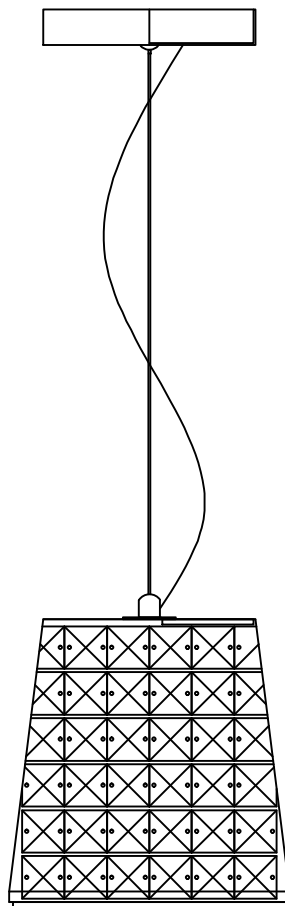


ZEDV

L I G H T I N G

ASSEMBLY AND INSTALLATION INSTRUCTIONS

ITEMNO : MP40022/1/CH



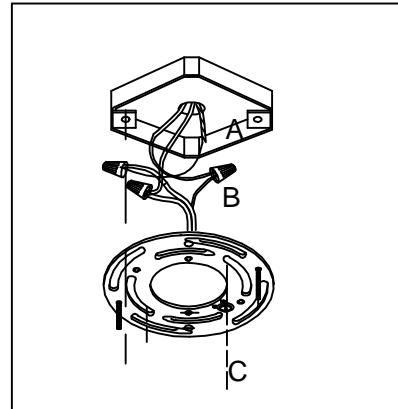
NOTE: Before starting installation of this Fixture or the removal of a previous Fixture, disconnect the power by turning off the circuit breaker or removing the fuse from the fuse box.

INSTALLATION

IMPORTANT: Do not attach fixture directly to outlet box.

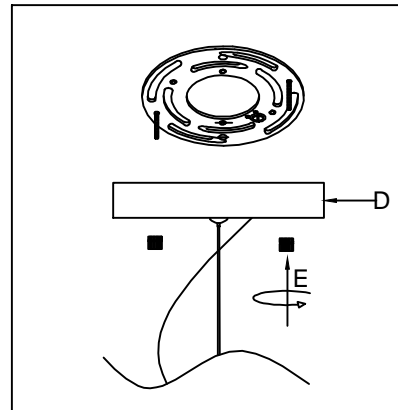
STEP 1:

Secure mounting bar (B) to outlet box with outlet box screws (C). thread nipple (A) into mounting bar (B).



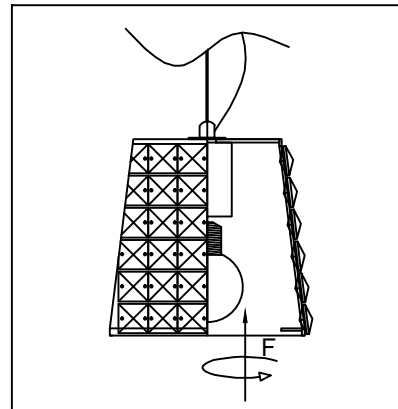
STEP 2:

Aim the canopy (D) at the hole on the Crossbar, then Lock them closely by using nut (E).



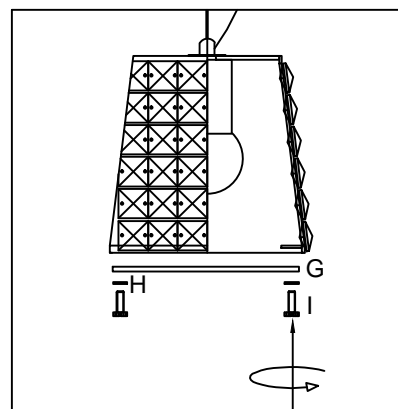
STEP 3:

Screw the bulb (F) into the lamp cap clockwise until tightening.



STEP 4:

Place the flat glass (G) parallel under the lamp shade by hole to hole, then screw the Straight thread screw (H) with Rubber gasket (I) through the holes until tightening.

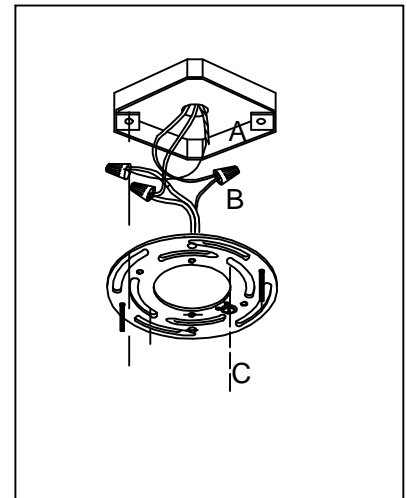


NOTE: Before starting installation of this Fixture or the removal of a previous Fixture, disconnect the power by turning off the circuit breaker or removing the fuse from the fuse box.

GROUNDING INSTANTIONS

STEP 1:

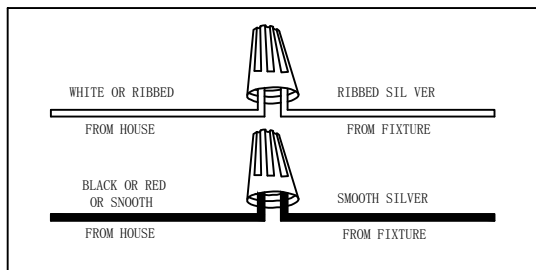
Insert the green grounding screw into the hole with two raised dimples on the Crossbar. Wrap the ground wire from the fixture (if supplied) around the green grounding screw, then connect it to ground wire from the outlet box (if not fixed on the outlet box) using a wire connector. If ground wire from the fixture is not supplied, wrap the ground wire (if not fixed on the outlet box) from the outlet box around the green grounding screw and tighten it.



NEVER CONNECT GROUND WIRE TO BLACK OR WHITE POWER SUPPLY WIRES.

STEP 2:

Tack note of the color of the wire(s) on your fixture. Identify which group your fixture wire(s) falls into and connect the wires according to the direction below:



STEP 3:

Take your fixture wire(s) from group A and place evenly against the black wire from the outlet box. Do NOT twist wires together before using wire connectors.

STEP 4:

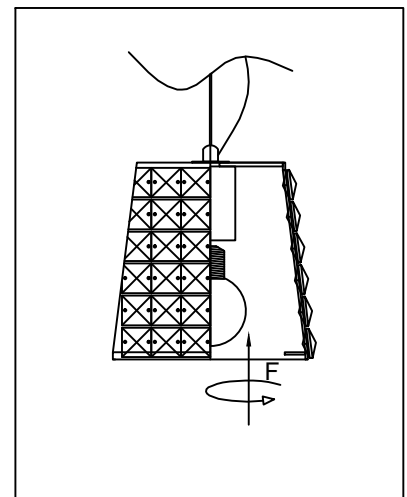
Fit a wire connector (not supplied) over the wires and screw the connector clockwise until you feel firmness.

STEP 5:

Can pull the connector off, carefully re-do steps 3 and 4, as above, and check again for a firm connection.

STEP 6:

Connect the fixture wire from group B to the white wire from the outlet box in the same manner. Make sure no bare wires can be seen outside wire connectors.

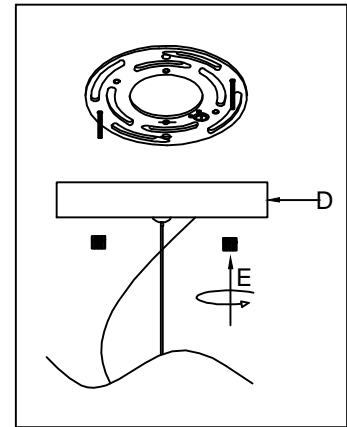


NOTE: Before starting installation of this Fixture or the removal of a previous Fixture, disconnect the power by turning off the circuit breaker or removing the fuse from the fuse box.

FINALASSEMBLY

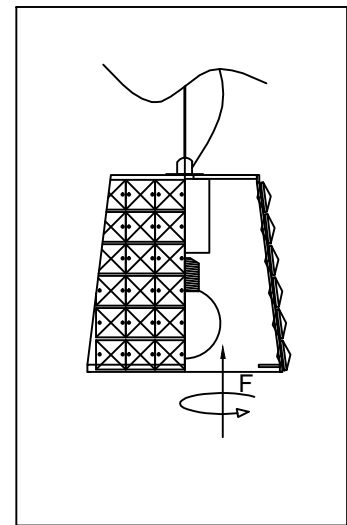
STEP 1:

After wires are connected, tuck them carefully inside outlet box, then secure canopy (D) with nut (E)



STEP 2:

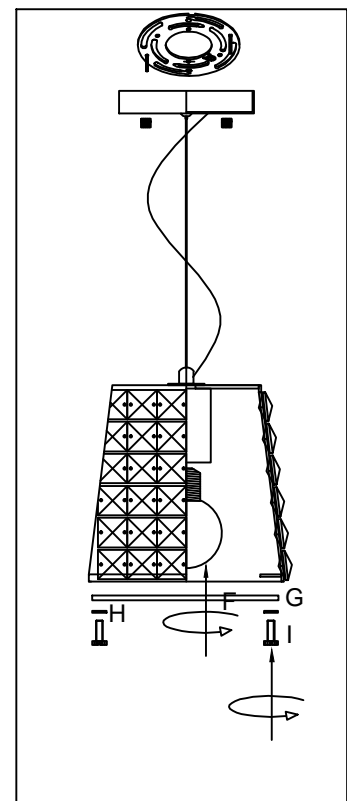
hang the crystal string (A, B, C, D, E, F) onto the ceiling canopy



STEP 3: Install lamps. (Please do not exceed the maximum capacity recommended on the socket.)

CLEANING

To clean, wipe fixture with a soft cloth. Clean glass with a mild soap. Do not use abrasive materials such as scouring pads or powders, steel wool or abrasive paper.



ORDERING PARTS

Keep this sheet for future reference, and in case you need to order replacement parts. All parts for this fixture can be ordered from place of purchase. Be sure to use exact wording from illustration when ordering parts.